

HCL-1090B Line Array Column Loudspeaker



HCL-1090B Line Array Column Loudspeaker

Features:

- Compact design, natural and high- quality sound
- Built-in 4 3-inch full-frequency drivers
- Wide frequency range and enhanced performance:
Characterized with wider bandwidth, has the lowest frequency at 80 Hz. Constant resistance (6 Ω) power mode for higher output level
- Coverage pattern: Horizontal: 150°, Vertical: 30°
- Professional line array sound column, with uniform sound field coverage, higher transmission gain and hardly howling. Solve the sound reinforcement requirement in the environment with sound defect
- Enclosure designed IP-55 rate, per IEC60529 allows use in a wide of adverse conditions
- Fiberglass reinforced ABS cabinet with UV resistant
- Wall-mount (with fixed plate) or stand-mount



Overview:

HCL-1090B Line Array Column Loudspeaker, composed of three full-range drivers, features natural and high-quality sound in a compact and exquisite enclosure. It offers rich and nice middles, and crisp and sweet highs. Thanks to its wide and even sound field, HCS-1090B can be used for various applications such as in small conference room and classroom.

The internal speaker units arrayed vertically in close proximity form a linear sound source, which guarantees better coverage and less susceptibility to feedback at a longer throw distance. It characterized with wider bandwidth, has the lowest frequency at 80 Hz. Constant resistance mode (6 Ω) for higher output level.

Enclosure designed IP-55 rate IEC60529 allows use in a wide range of adverse conditions such as wet, dirty or corrosive environments.

Specifications:

Components	Four 3-inch full-range
Frequency response	80 Hz ~ 20 kHz (-10 dB)
Coverage pattern	Horizontal: 150° Vertical: 30°
Sensitivity (2.45 V@1 m)	90 dB
Impedance	6 Ω
Power capacity (6 Ω)	60 W (240 W peak), 2 hrs 36 W (144 W peak), 100 hrs
Max. SPL	107 dB
Enclosure	Fiberglass reinforced ABS cabinet, painted aluminum grille
Outdoor capability	IP-55 rated, per IEC60529, moisture- and water-proof, dust-proof, water-proof cable gland
Colors	Black or White
Insert	Three M6 insert points on back panel
Mounting	Included swivel wall bracket provides continuously variable ±80 degree left-right swivel aiming
Dimensions (h x w x d)	408x111x145 mm
Weight	2.4 kg
Accessories	Swivel wall bracket or Fixed plate (optional)

HCL-1090B_B.....Line Array Column Loudspeaker (6 Ω, 60 W, black, with adjustable installation bracket or fixed)
HCL-1090B_W.....Line Array Column Loudspeaker (6 Ω, 60 W, white, with adjustable installation bracket or fixed)

CBL-SPK2 Speaker Cable

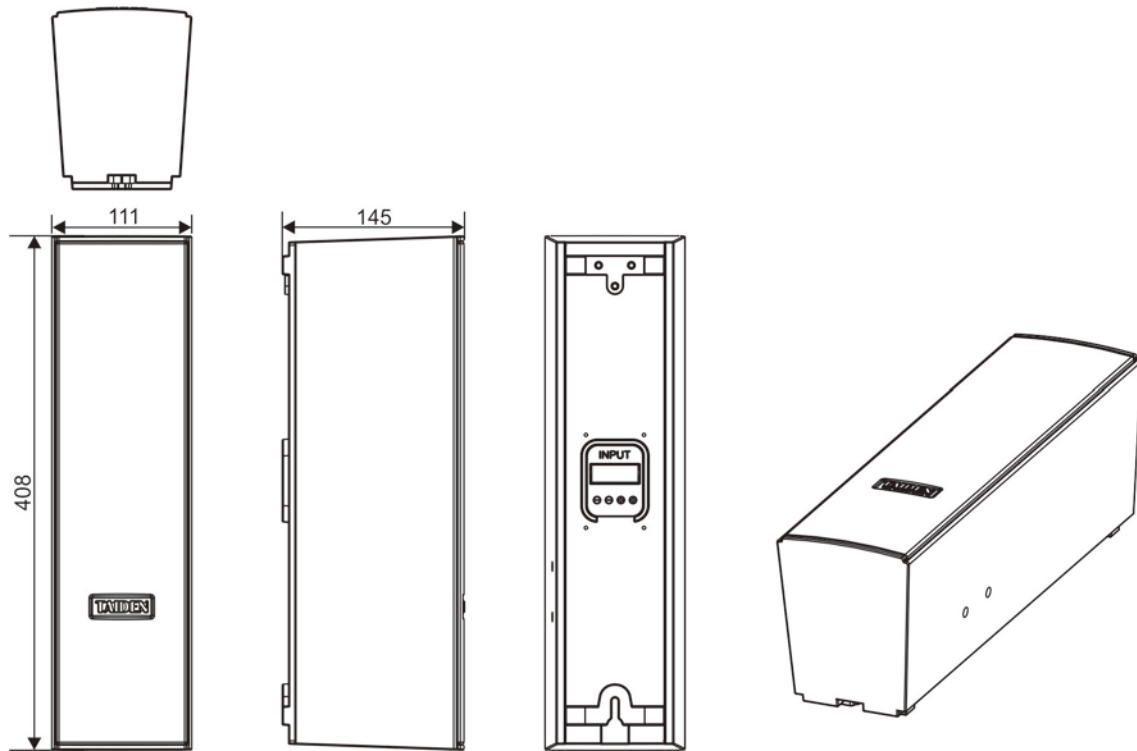
Features:

- 18AWG×2C
- Audio cable for HCL-1090/1090B Line Array Column Loudspeaker
- Length of per roll: 305 meter
- Color: black with white stripe



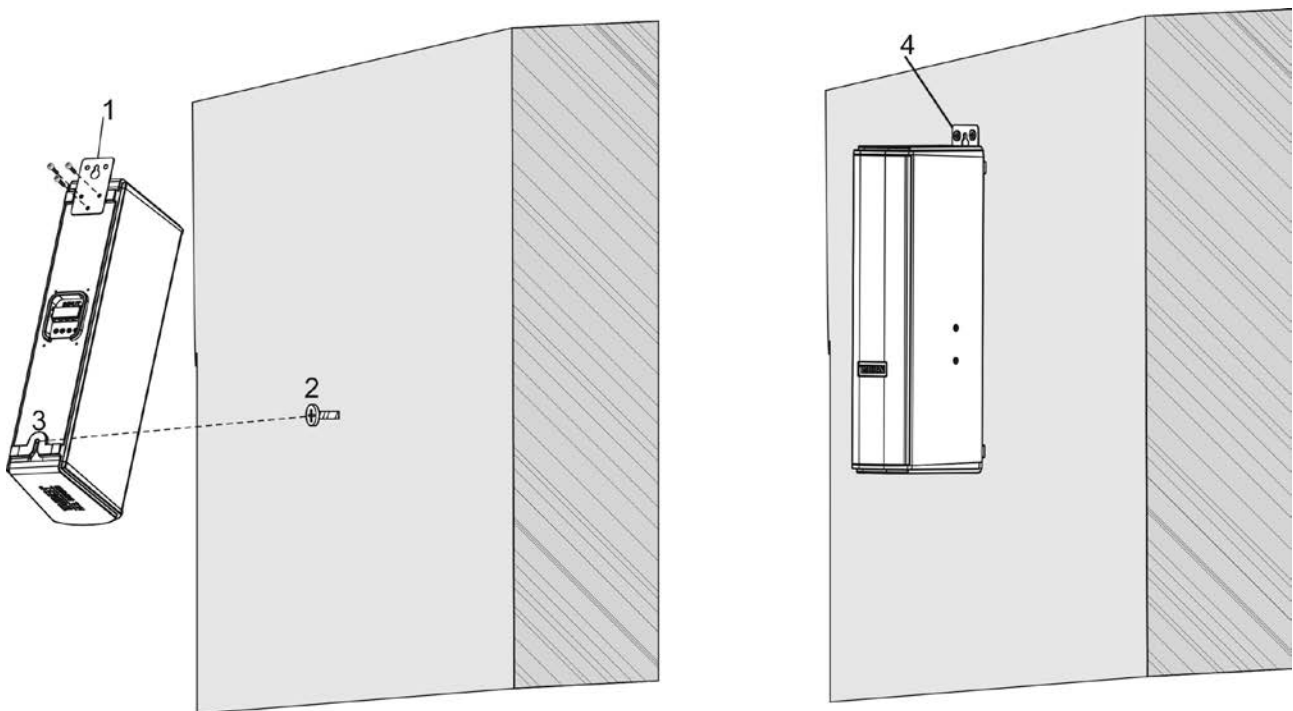
CBL-SPK2.....Speaker cable (For HCL-1090/1090B Line Array Column Loudspeaker, black with white stripe, 305 m per roll, unit: meter)

Dimensions (unit: mm):



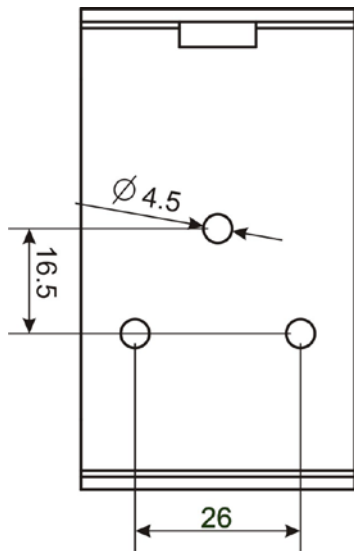
Dimensions of HCS-1090B Line Array Column Loudspeaker (unit: mm)

Installation (Fixed):

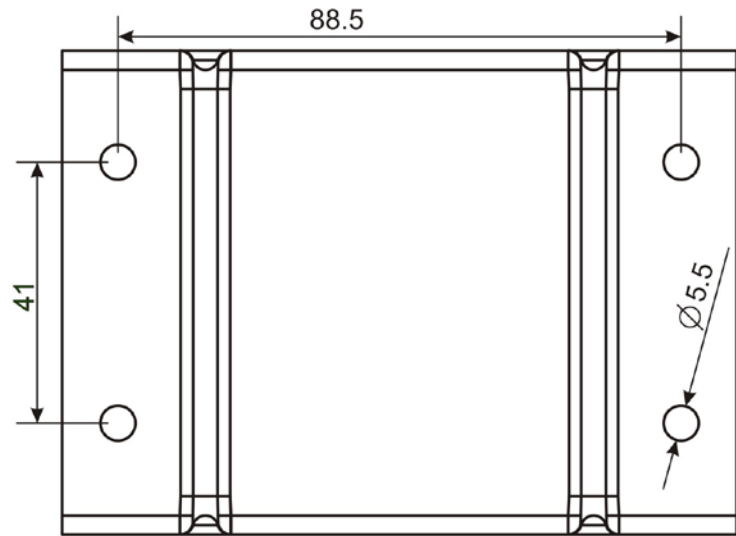


1. Install the fixed plate 1 on the HCL-1090B, as shown in the figure;
2. Lock a screw 2 at the appropriate height, exposed wall 5.5 mm to 7.5 mm (excl. screw head);
3. Refer to the left figure and place the part 3 of HCL-1090B on screw 2;
4. Refer to the right figure to lock the fixed plate on the wall;
5. Secure the safety rope in a firm place.

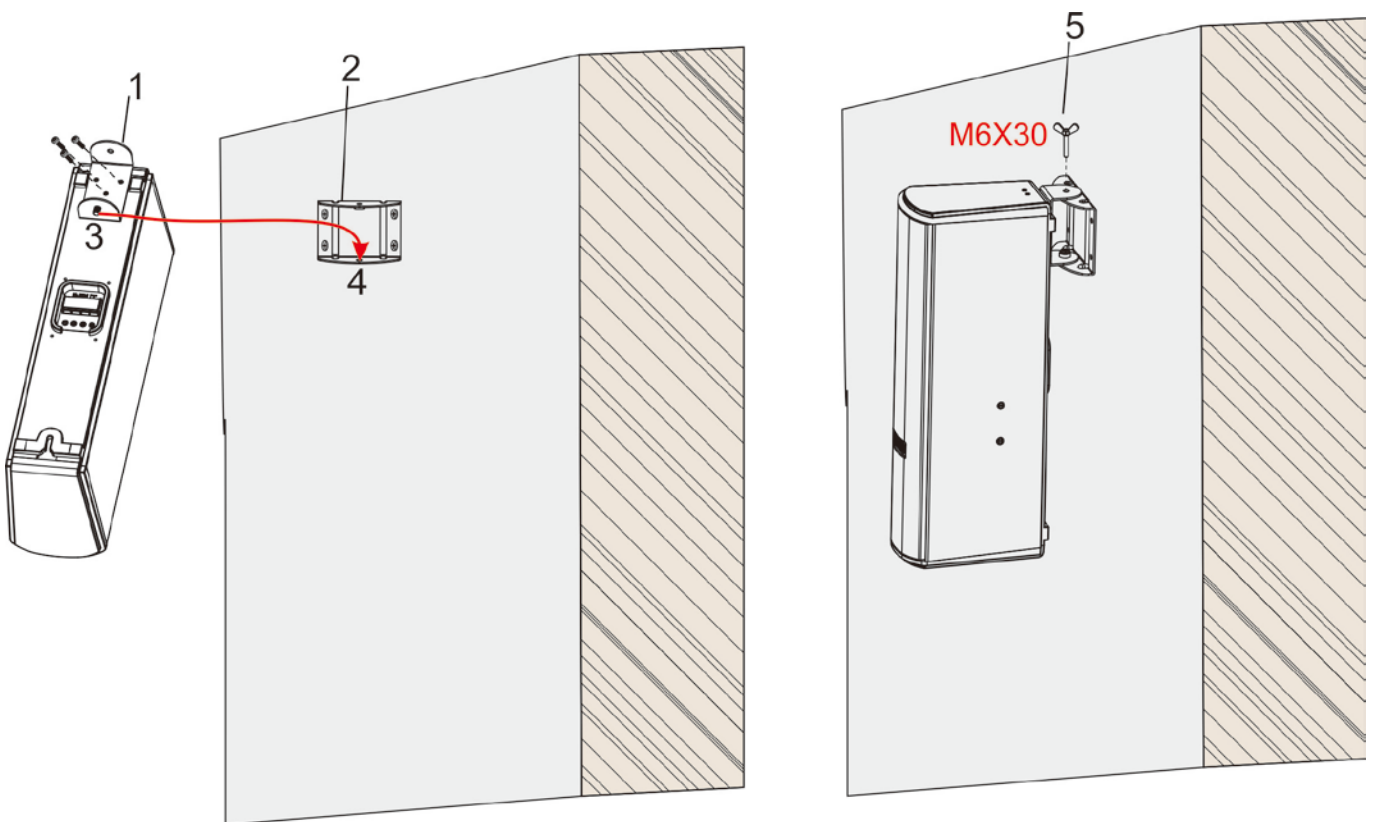
Installation (swivel):



Loudspeaker-mount section



Wall-mount section



1. Install the fixed plate 1 on the HCL-1090B (PM4×10 mm), as shown in the figure;
2. Attach wall bracket 2 to wall (PA4×30 mm);
3. Clip the bolt 3 of the fixed plate into the hole 4 of the wall bracket;
4. Set the swivel angle and then tighten the top bolt 5 (M6×30 mm).

TAIDEN INDUSTRIAL CO., LTD.

6/F, Block B, Future Plaza, 6060 Qiaoxiang Rd, Nanshan District, Shenzhen, China

P.C.: 518053

Website: <http://www.taiden.com>

Copyright by TAIDEN

Last Revision: 06/2021